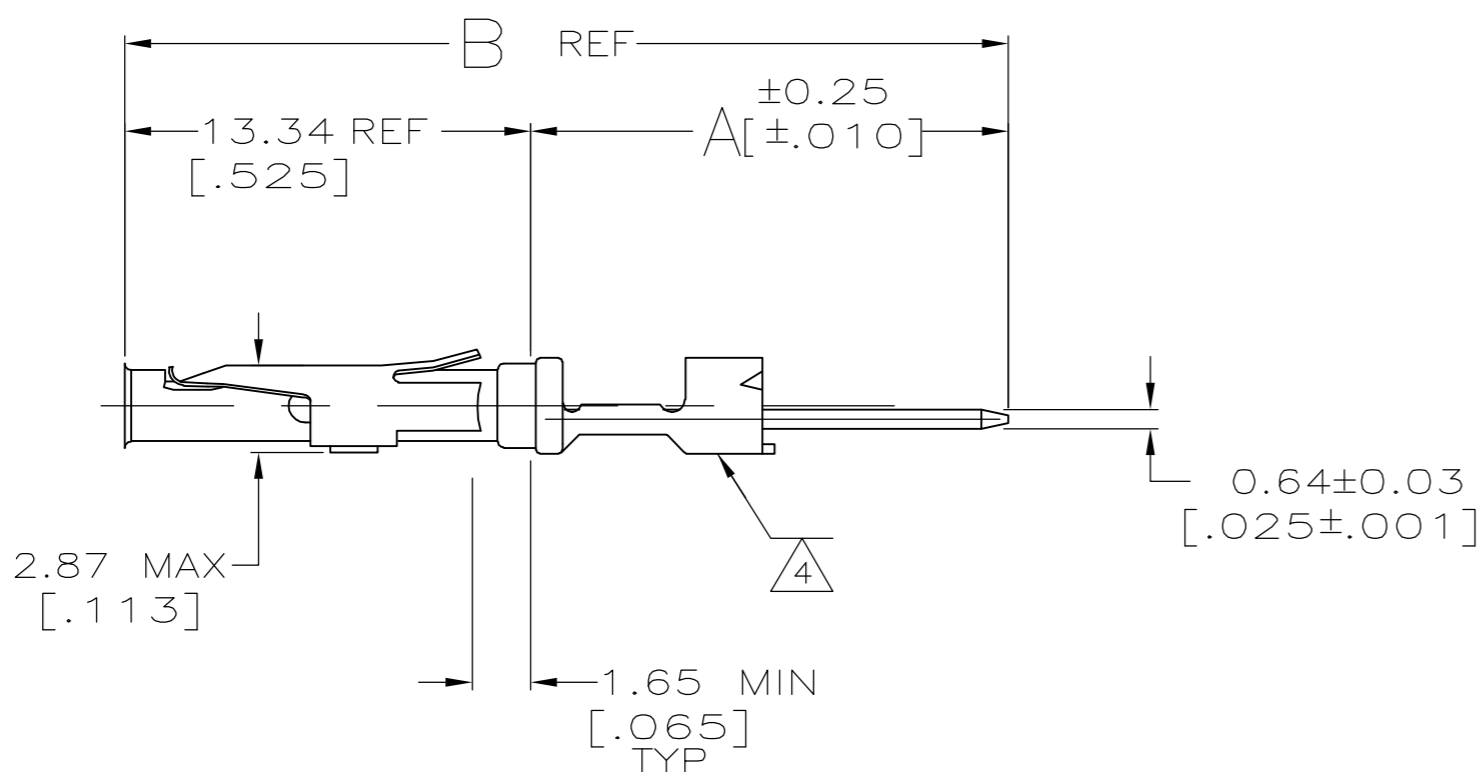
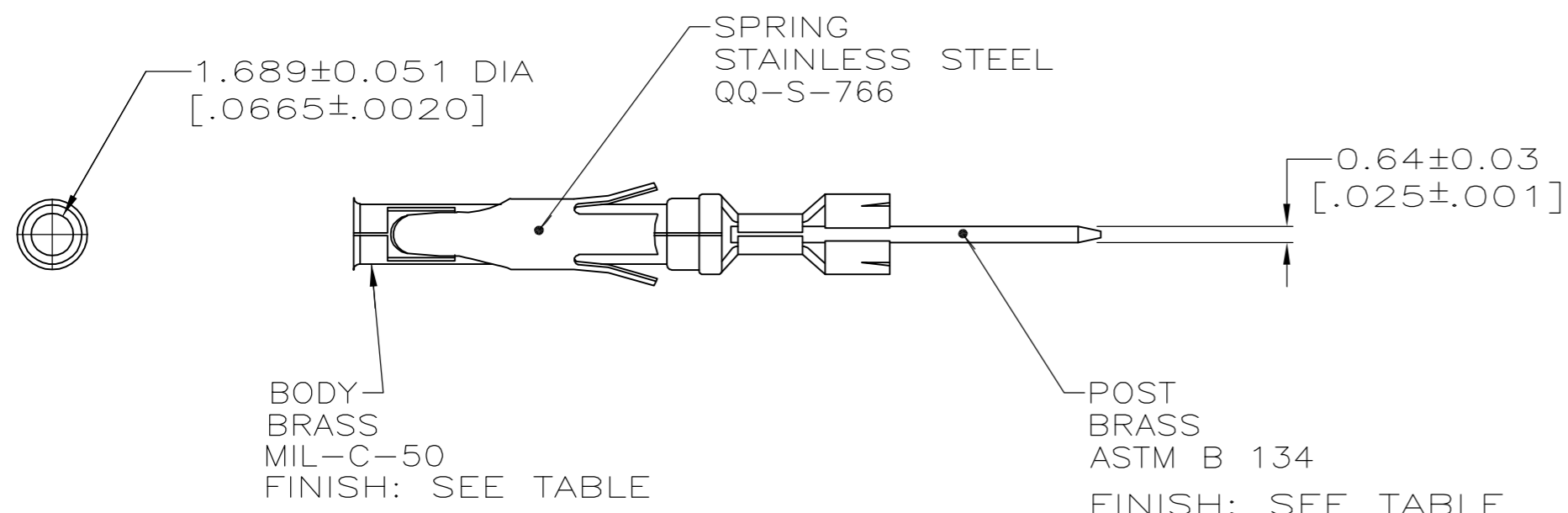


THIS DRAWING IS UNPUBLISHED. RELEASED FOR PUBLICATION
 © COPYRIGHT BY TYCO ELECTRONICS CORPORATION. ALL RIGHTS RESERVED.

LOC		DIST		REVISIONS			
P	LTR	DESCRIPTION	DATE	DWN	APVD		
	AV1	REVISED PER ECO-06-17272	7/26/06	SS	GS		



- ① 2.54um [.000100] MIN TIN-LEAD PER MIL-T-10727 OVER 1.27um [.000050] MIN NICKEL PER QQ-N-290.
- ② 2.76um [.000030] MIN GOLD PER MIL-G-45204 ON MATING END FOR A LENGTH OF 5.08 [.200] MIN WITH A UNIFORM GRADIENT TO 0.25um [.000010] MIN GOLD PER MIL-G-45204 ON THE REMAINDER OVER 1.27um [.000050] MIN NICKEL PER QQ-N-290.
- ③ 2.54um [.000100] MIN TIN-LEAD PER MIL-T-10727 OVER 2.54um [.000100] MIN COPPER PER MIL-C-14550.
- ④ GOLD PLATING NEED NOT APPEAR ON WIRE BARREL.
- ⑤ 0.76um [.000030] MIN GOLD PER MIL-G-45204 ON MATING END FOR A LENGTH OF 5.08 [.200] MIN, GOLD FLASH ON THE REMAINDER OVER 1.27um [.000050] MIN NICKEL PER QQ-N-290.
- ⑥ .000100 MIN TIN PER MIL-T-10727, OVER .000050 MIN NICKEL PER QQ-N-290.
- ⑦ .000030 MIN GOLD PER MIL-G-45204, OVER .000050 MIN NICKEL PER QQ-N-290.

PRELIMINARY

OBSOLETE

OBSOLETE

B	A	NO OF TERM	POST FINISH	BODY FINISH	PART NUMBER
34.44 [1.356]	21.11 [.831]	2	⑦	⑥	5-66461-7
29.13 [1.147]	15.80 [.622]	1	⑥	②	5-66461-6
29.13 [1.147]	15.80 [.622]	1	⑥	⑤	5-66461-5
29.13 [1.147]	15.80 [.622]	1	⑥	⑥	5-66461-4
34.44 [1.356]	21.11 [.831]	2	③	①	5-66461-3
49.40 [1.945]	36.07 [1.420]	SPECIAL	③	⑤	5-66461-1
30.68 [1.208]	17.35 [.683]	SPECIAL	③	①	2-66461-2
34.44 [1.356]	21.11 [.831]	2	③	①	2-66461-1
41.48 [1.633]	28.14 [1.108]	SPECIAL	③	⑤	2-66461-0
30.68 [1.208]	17.35 [.683]	SPECIAL	③	①	1-66461-9
29.64 [1.167]	16.31 [.642]	SPECIAL	③	⑤	1-66461-8
27.97 [1.101]	14.63 [.576]	SPECIAL	③	⑤	1-66461-7
25.68 [1.011]	12.34 [.486]	SPECIAL	③	⑤	1-66461-3
43.46 [1.711]	30.12 [1.186]	SPECIAL	③	⑤	1-66461-0
39.24 [1.545]	25.91 [1.020]	3	③	⑤	66461-9
34.44 [1.356]	21.11 [.831]	2	③	⑤	66461-8
29.13 [1.147]	15.80 [.622]	1	③	⑤	66461-7
39.24 [1.545]	25.91 [1.020]	3	③	②	66461-6
34.44 [1.356]	21.11 [.831]	2	③	②	66461-5
29.13 [1.147]	15.80 [.622]	1	③	②	66461-4
39.24 [1.545]	25.91 [1.020]	3	③	①	66461-3
34.44 [1.356]	21.11 [.831]	2	③	①	66461-2
29.13 [1.147]	15.80 [.622]	1	③	①	66461-1

THIS DRAWING IS A CONTROLLED DOCUMENT.

DIMENSIONS: INCHES	TOLERANCES UNLESS OTHERWISE SPECIFIED:	DWN C.OBERMAN 07/02/92	Tyco Electronics Corporation Harrisburg, Pa 17105-3608
		CHK R.STONE 7-8-92	
		APVD C.OBERMANN 7-10-92	NAME
			PRODUCT SPEC
			APPLICATION SPEC
MATERIAL SEE CALLOUT	FINISH SEE CALLOUT	WEIGHT -	SIZE A2 CAGE CODE 00779 DRAWING NO C=66461 RESTRICTED TO -
		CUSTOMER DRAWING	SCALE 4:1 SHEET 1 OF 2 REV AV1

THIS DRAWING IS UNPUBLISHED. RELEASED FOR PUBLICATION
 © COPYRIGHT BY TYCO ELECTRONICS CORPORATION. ALL RIGHTS RESERVED.

LOC	DIST	REVISIONS					
FT	0	P	LTR	DESCRIPTION	DATE	DWN	APVD
		-		SEE SHEET 1	-	-	-

49.40 [1.945]	36.07 [1.420]	SPECIAL	△6	△5	9-66461-9
30.68 [1.208]	17.35 [.683]	SPECIAL	△6	△6	7-66461-0
30.68 [1.208]	17.35 [.683]	SPECIAL	△6	△6	6-66461-5
41.48 [1.633]	28.14 [1.108]	SPECIAL	△6	△5	6-66461-4
39.24 [1.545]	25.91 [1.020]	3	△6	△5	6-66461-3
34.44 [1.356]	21.11 [.831]	2	△6	△5	6-66461-2
39.24 [1.545]	25.91 [1.020]	3	△6	△2	6-66461-1
34.44 [1.356]	21.11 [.831]	2	△6	△2	6-66461-0
39.24 [1.545]	25.91 [1.020]	3	△6	△6	5-66461-9
34.44 [1.356]	21.11 [.831]	2	△6	△6	5-66461-8
B	A	NO OF TERM	POST FINISH	BODY FINISH	PART NUMBER

THIS DRAWING IS A CONTROLLED DOCUMENT.		DWN C.OBERMAN 07/02/92	tyco Tyco Electronics Corporation	
DIMENSIONS: INCHES		CHK R.STONE 7-8-92	Harrisburg, Pa 17105-3608	
TOLERANCES UNLESS OTHERWISE SPECIFIED:		APVD C.OBERMANN 7-10-92	NAME	
0 PLC ± -		PRODUCT SPEC		
1 PLC ± -		APPLICATION SPEC		
2 PLC ± 0.13 [.005]		SIZE CAGE CODE DRAWING NO		
3 PLC ± -		A2 00779 C=66461		
4 PLC ± -		RESTRICTED TO		
ANGLES ± -		SCALE 4:1 SHEET 2 OF 2 REV AV1		
FINISH		CUSTOMER DRAWING		
MATERIAL SEE CALLOUT		WEIGHT -		
SEE CALLOUT				